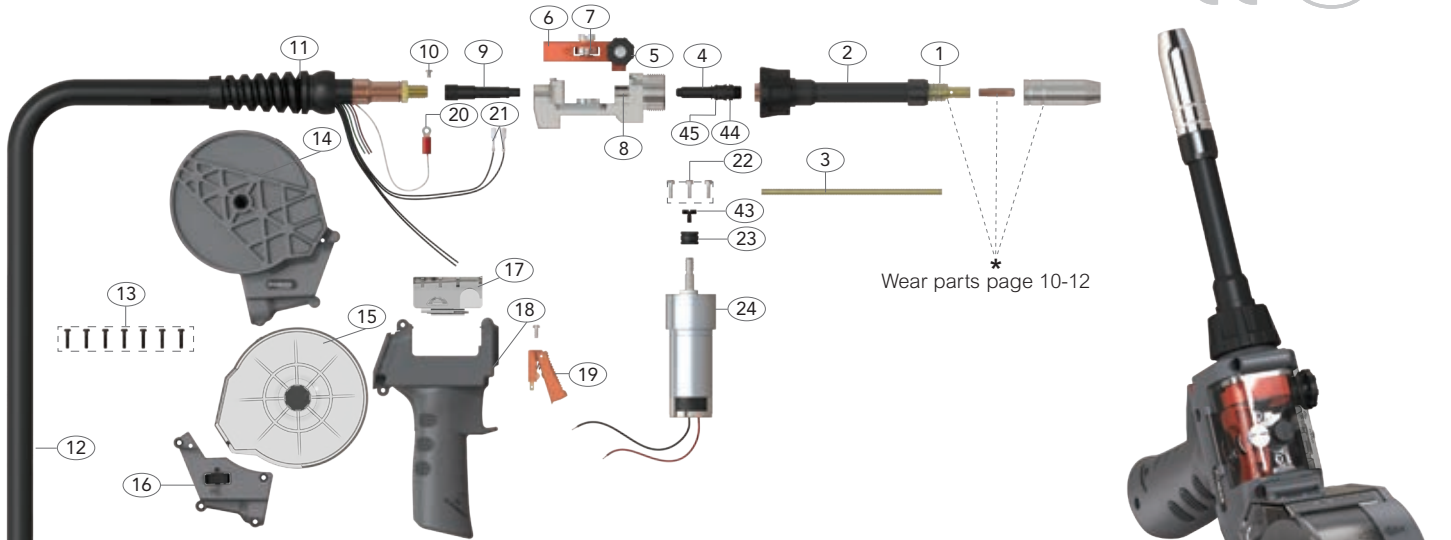


**DSP 150A** Air-Cooled MIG Welding Torch  
 Rating: 150A CO<sub>2</sub>, 130A mixed gas, EN60974-7 @ 60% duty cycle. 0.8 to 1.0mm wires



Model	Part Number
Description	6M
Spool-On 24V Mig Torch Euro End	DSP150A-24-60ER
Spool-On 42V Mig Torch Euro End	DSP150A-42-60ER
Spool-On 24V Mig Torch Euro End	DSP150A-24-P1-60ER
Spool-On 42V Mig Torch Euro End	DSP150A-42-P1-60ER
Spool-On 24V Mig Torch Surelok End	DSP150A-24-P1-60DN-GS1
Spool-On 42V Mig Torch Surelok End	DSP150A-42-P1-60DN-GS1

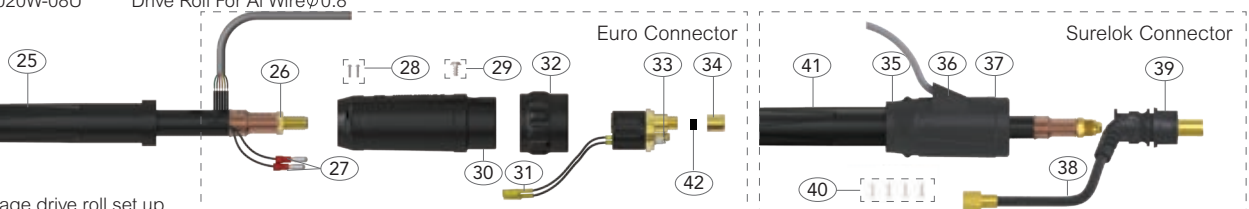
Alternative torch packages can be configured using the configurator on page 5 or at [www.parkertorchology.com](http://www.parkertorchology.com)

Spare parts			
Part Number	Description	Part Number	Description
1	PB1504 Shroud Spring	SGP7020W-09U	Drive Roll For Al Wire $\phi$ 0.9
2	PSP1501 Straight Neck Assembly	SGP7020W-10U	Drive Roll For Al Wire $\phi$ 1.0
3	PSP1502 Jump Liner	24	SGP7020-24 Motor 24V DC
4	PGP36006 Jump Liner Nipple	SGP7020-42	Motor 42V DC
5	PGP36402B Tension Knob	25	PPA2041 Cable Support
6	PGP36402 Pressure Arm Assembly	26	PB1505 Lock Nut
7	PGP36402R Pressure Roll	27	PB1522 Cable Terminal Male
8	PSP36001 Motor Body	28	SCSP1-1 Gun Plug Housing Screw Pack
9	PSP36006 Wire Guide	29	PBL1541 Gun Plug Screw
10	SCP2563 Screw	30	SCP2578H/L Gun Plug Housing Assembly
11	PMIG8015 Cable Support	31	PB1523 Gun Plug Terminal Female
12	DSP1517-60ER Coax Cable Assembly Euro Type	32	PC1519/S Housing Nut
	DSP1517-60DN Coax Cable Assembly Dinse Type	33	PC1528 Hybrid Gun Plug Body C/W Spring Pins
13	PKA3X20 Handle Screw Pack	34	PB1525 Liner Nut
14	PSP2515SP-B Spool Holder	35	PSLH26-M Cable Support Large
15	PSP2515SP-C Spool Cover	36	PSLH26-C Surelok Housing Cover
16	PSP2515SP-PT-1K Wire Speed Control 1K $\Omega$	37	PSLH26-H Surelok Housing Large
	PSP2515SP-PT-5K Wire Speed Control 5K $\Omega$	38	*PSL-1-# Gas Supply Hose
	PSP2515SP-PT-10K Wire Speed Control 10K $\Omega$	39	PSL3550 Surelok Body & Support
	PSP2515SP-PT-25K Wire Speed Control 25K $\Omega$	40	PERSP1 Screw Pack
	PSP2515SP-PT0 No Potentiometer	41	PPA3541 Cable Support
17	PGP2514-C Push-Pull Handle Cover	42	PB1525W Washer
18	PCSP2515-KJ Spool-On Handle	43	PGP7020-24-4 Screw
19	PGP2516 Push-Pull Trigger	44	9x1.5 "O" ring
20	SCP2597 Circular Cable Terminal	45	7x1.5 "O" ring
21	PB1521 Cable Terminal		
22	PGPMS1 Motor Screw Pack		
23	SGP7020W-08 Drive Roll For Steel Wire $\phi$ 0.8		
	SGP7020W-09 Drive Roll For Steel Wire $\phi$ 0.9		
	SGP7020W-10 Drive Roll For Steel Wire $\phi$ 1.0		
	*SGP7020W-08U Drive Roll For Al Wire $\phi$ 0.8		

\*Note: Gas supply hoses are specified by utilizing the part number and a termination suffix from the gas supply hose table on page 23.

**Example: PSL-1-GS1**

Gas supply hose C/W 3/8" BSP fitting



\* Denotes torch package drive roll set up  
 Note: All packages supplied with hard and soft wire drive rolls

# Duragrip™ Spool-On Mig Torch Range

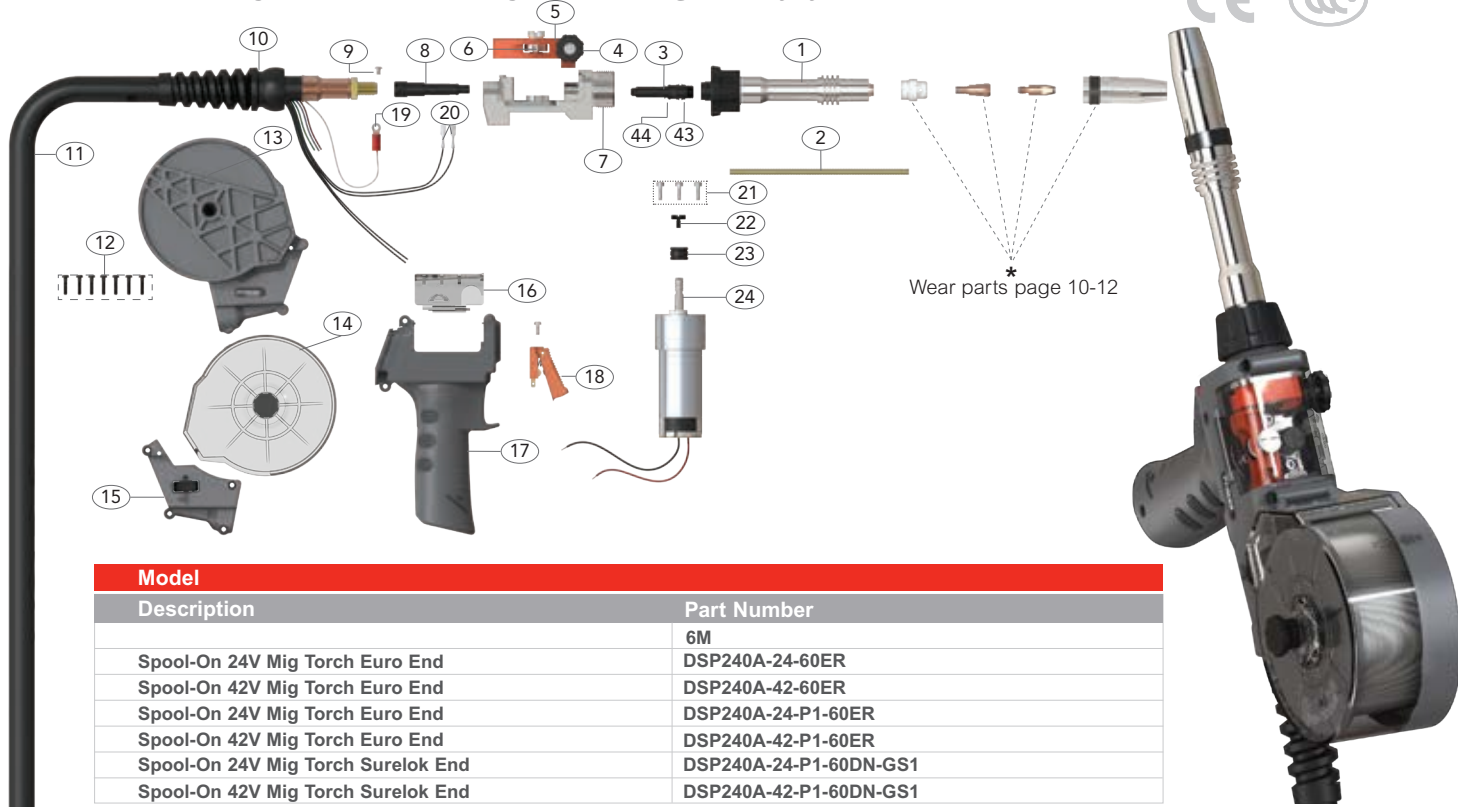
New



## DSP 240A

Air-Cooled MIG Welding Torch

Rating: 220A CO<sub>2</sub>, 200A mixed gas, EN60974-7 @ 60% duty cycle. 0.8 to 1.2mm wires



Wear parts page 10-12

Model	
Description	Part Number
	6M
Spool-On 24V Mig Torch Euro End	DSP240A-24-60ER
Spool-On 42V Mig Torch Euro End	DSP240A-42-60ER
Spool-On 24V Mig Torch Euro End	DSP240A-24-P1-60ER
Spool-On 42V Mig Torch Euro End	DSP240A-42-P1-60ER
Spool-On 24V Mig Torch Surelok End	DSP240A-24-P1-60DN-GS1
Spool-On 42V Mig Torch Surelok End	DSP240A-42-P1-60DN-GS1

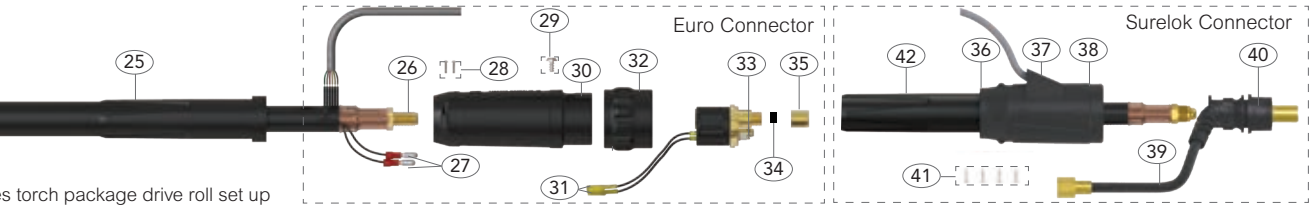
Alternative torch packages can be configured using the configurator on page 5 or at [www.parkertorchology.com](http://www.parkertorchology.com)

### Spare parts

Part Number	Description	Part Number	Description
1	PSP2401A Straight Neck Assembly	23	SGP7020W-09U Drive Roll For Al Wire $\phi$ 0.9
2	PGP3602A Jump Liner	*SGP7020W-10U Drive Roll For Al Wire $\phi$ 1.0	
3	PGP36006 Jump Liner Nipple	SGP7020W-12U Drive Roll For Al Wire $\phi$ 1.2	
4	PGP36402B Tension Knob	24	SGP7020-24 Motor 24V DC
5	PGP36402 Pressure Arm Assembly	SGP7020-42 Motor 42V DC	
6	PGP36402R Pressure Roll	25	PPA2041 Cable Support
7	PSP36001 Motor Body	26	PB1505 Lock Nut
8	PSP36006 Wire Guide	27	PB1522 Cable Terminal Male
9	SCP2563 Screw	28	SCSP1-1 Gun Plug Housing Screw Pack
10	PMIG8015 Cable Support	29	PBL1541 Gun Plug Screw
11	DSP2403-60ER Coax Cable Assembly, Euro Type	30	SCP2578H/L Gun Plug Housing Assembly
	DSP2403-60DN Coax Cable Assembly, Dinse Type	31	PB1523 Gun Plug Terminal Female
12	PKA3X20 Handle Screw Pack	32	PC1519/S Housing Nut
13	PSP2515SP-B Spool Holder	33	PC1528 Hybrid Gun Plug Body C/W Spring Pins
14	PSP2515SP-C Spool Cover	34	PB1525W End Plug
15	PSP2515SP-PT-1K Wire Speed Control 1K $\Omega$	35	PB1525 Liner Nut
	PSP2515SP-PT-5K Wire Speed Control 5K $\Omega$	36	PSLH26-SM Cable Support Large
	PSP2515SP-PT-10K Wire Speed Control 10K $\Omega$	37	PSLH26-C Surelok Housing Cover
	PSP2515SP-PT-25K Wire Speed Control 25K $\Omega$	38	PSLH26-H Surelok Housing Large
	PSP2515SP-PT0 No Potentiometer	39	*PSL-1-# Gas Supply Hose
16	PGP2514-C Push-Pull Handle Cover	40	PSL3550 Surelok Body & Support
17	PCSP2515-KJ Spool-On Handle	41	PERSP1 Screw Pack
18	PGP2516 Push-Pull Trigger	42	PPA3541 Cable Support
19	SCP2597 Circular Cable Terminal	43	9x1.5 "O" ring
20	PB1521 Cable Terminal	44	7x1.5 "O" ring
21	PGPMS1 Motor Screw Pack		
22	PGP7020-24-4 Screw		
23	SGP7020W-08 Drive Roll For Steel Wire $\phi$ 0.8		
	SGP7020W-09 Drive Roll For Steel Wire $\phi$ 0.9		
	SGP7020W-10 Drive Roll For Steel Wire $\phi$ 1.0		
	SGP7020W-08U Drive Roll For Al Wire $\phi$ 0.8		

\*Note: Gas supply hoses are specified by utilizing the part number and a termination suffix from the gas supply hose table on page 23.

**Example: PSL-1-GS1**  
Gas supply hose C/W 3/8" BSP fitting



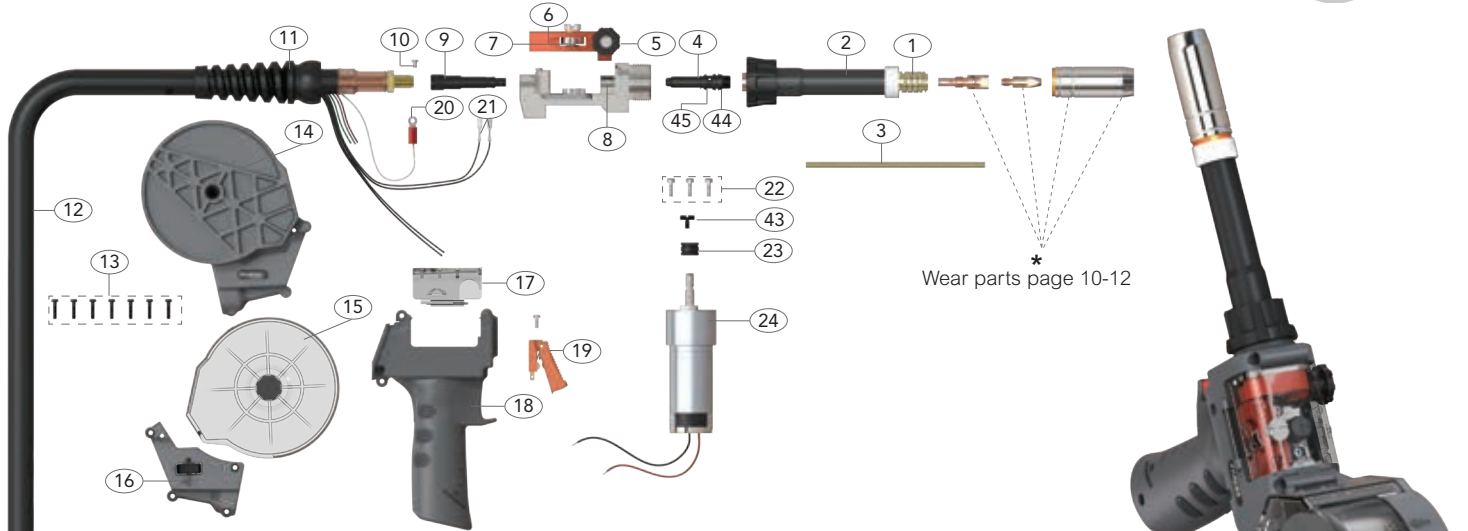
\* Denotes torch package drive roll set up  
Note: All packages supplied with hard and soft wire drive rolls

New

### DSP 250A

Air-Cooled MIG Welding Torch

Rating: 200A CO<sub>2</sub> 180A mixed gas, EN60974-7 @ 60% duty cycle. 0.8 to 1.2mm wires



Model	
Description	Part Number
	6M
Spool-On 24V Mig Torch Euro End	DSP250A-24-60ER
Spool-On 42V Mig Torch Euro End	DSP250A-42-60ER
Spool-On 24V Mig Torch Euro End	DSP250A-24-P1-60ER
Spool-On 42V Mig Torch Euro End	DSP250A-42-P1-60ER
Spool-On 24V Mig Torch Surelok End	DSP250A-24-P1-60DN-GS1
Spool-On 42V Mig Torch Surelok End	DSP250A-42-P1-60DN-GS1

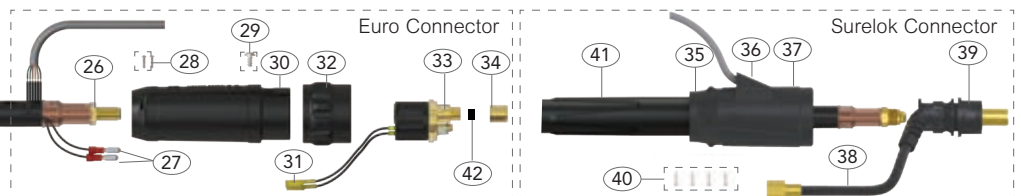
Alternative torch packages can be configured using the configurator on page 5 or at [www.parkertorchology.com](http://www.parkertorchology.com)

Spare parts			
Part Number	Description	Part Number	Description
1	PB2502 Shroud Spring	SGP7020W-09U	Drive Roll For Al Wire $\phi$ 0.9
2	PSP2501 Straight Neck Assembly	SGP7020W-10U	Drive Roll For Al Wire $\phi$ 1.0
3	PGP3602A Jump Liner	*SGP7020W-12U	Drive Roll For Al Wire $\phi$ 1.2
4	PGP36006 Jump Liner Nipple	24	SGP7020-24 Motor 24V DC
5	PGP36402B Tension Knob	SGP7020-42	Motor 42V DC
6	PGP36402 Pressure Arm Assembly	25	PPA2041 Cable Support
7	PGP36402R Pressure Roll	26	PB1505 Lock Nut
8	PSP36001 Motor Body	27	PB1522 Cable Terminal Male
9	PSP36006 Wire Guide	28	SCSP1-1 Gun Plug Housing Screw
10	SCP2563 Screw	29	PBL1541 Gun Plug Screw Pack
11	PMIG8015 Cable Support	30	SCP2578H/L Gun Plug Housing Assembly
12	DSP2503-60ER Coax Cable Assembly Euro Type	31	PB1523 Gun Plug Terminal Female
	DSP2503-60DN Coax Cable Assembly Dinse Type	32	PC1519/S Housing Nut
13	PKA3X20 Handle Screw Pack	33	PC1528 Hybrid Gun Plug Body C/W Spring Pins
14	PSP2515SP-B Spool Holder	34	PB1525 Liner Nut
15	PSP2515SP-C Spool Cover	35	PSLH26-M Cable Support Large
16	PSP2515SP-PT-1K Wire Speed Control 1K $\Omega$	36	PSLH26-C Surelok Housing Cover
	PSP2515SP-PT-5K Wire Speed Control 5K $\Omega$	37	*PSLH26-H-# Surelok Housing Large
	PSP2515SP-PT-10K Wire Speed Control 10K $\Omega$	38	PSL-1 Gas Supply Hose
	PSP2515SP-PT-25K Wire Speed Control 25K $\Omega$	39	PSL3550 Surelok Body & Support
	PSP2515SP-PT0 No Potentiometer	40	PERSP1 Screw Pack
17	PGP2514-C Push-Pull Handle Cover	41	PPA3541 Cable Support
18	PCSP2515-KJ Spool-On Handle	42	PB1525W Washer
19	PGP2516 Push-Pull Trigger	43	PGP7020-24-4 Screw
20	SCP2597 Circular Cable Terminal	44	9x1.5 "O" ring
21	PM1521 Cable Terminal	45	7x1.5 "O" ring
22	PGPMS1 Motor Screw Pack		
23	SGP7020W-08 Drive Roll For Steel Wire $\phi$ 0.8		
	SGP7020W-09 Drive Roll For Steel Wire $\phi$ 0.9		
	SGP7020W-10 Drive Roll For Al Wire $\phi$ 1.0		
	SGP7020W-08U Drive Roll For Al Wire $\phi$ 0.8		

\*Note: Gas supply hoses are specified by utilizing the part number and a termination suffix from the gas supply hose table on page 23.

**Example: PSL-1-GS1**

Gas supply hose C/W 3/8" BSP fitting



\* Denotes torch package drive roll set up

Note: All packages supplied with hard and soft wire drive rolls

# Duragrip™ Spool-On Mig Torch Range

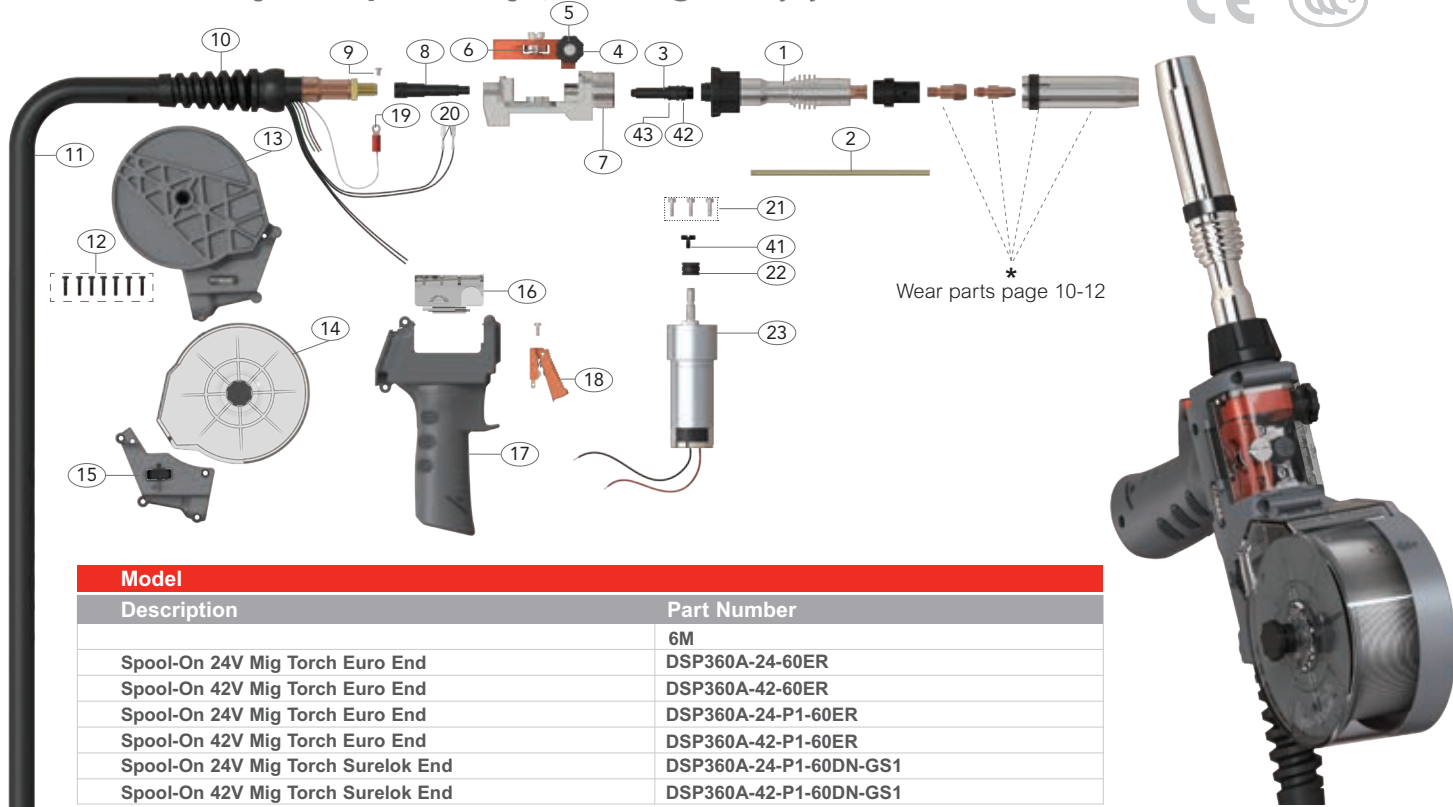
New

## DSP 360A

Air-Cooled MIG Welding Torch

Rating: 270A CO<sub>2</sub>, 250A mixed gas, EN60974-7 @ 60% duty cycle. 0.8 to 1.2mm wires

**PARKER**  
TORCHOLOGY



Wear parts page 10-12

Model	
Description	Part Number
	6M
Spool-On 24V Mig Torch Euro End	DSP360A-24-60ER
Spool-On 42V Mig Torch Euro End	DSP360A-42-60ER
Spool-On 24V Mig Torch Euro End	DSP360A-24-P1-60ER
Spool-On 42V Mig Torch Euro End	DSP360A-42-P1-60ER
Spool-On 24V Mig Torch Surelok End	DSP360A-24-P1-60DN-GS1
Spool-On 42V Mig Torch Surelok End	DSP360A-42-P1-60DN-GS1

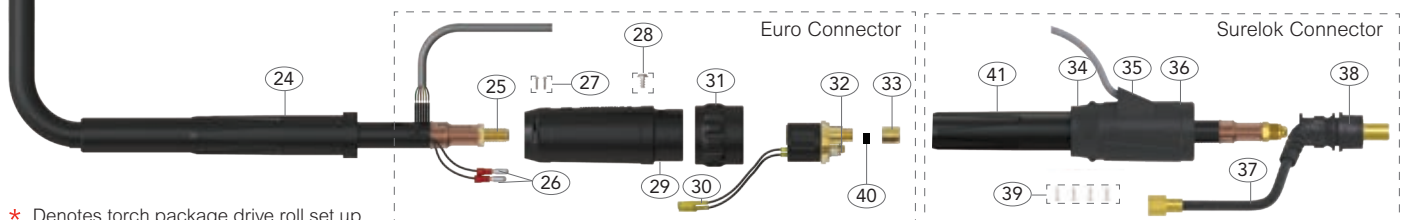
Alternative torch packages can be configured using the configurator on page 5 or at [www.parkertorchology.com](http://www.parkertorchology.com)

Spare parts			
Part Number	Description	Part Number	Description
1	SGP3603A	SGP7020W-09U	Drive Roll For Al Wire $\phi$ 0.9
2	PGP3602A	*SGP7020W-10U	Drive Roll For Al Wire $\phi$ 1.0
3	PGP36006	SGP7020W-12U	Drive Roll For Al Wire $\phi$ 1.2
4	PGP36402B	23	SGP7020-24
5	PGP36402	SGP7020-42	Motor 42V DC
6	PGP36402R	24	PPA3541
7	PSP36001	25	PB1505
8	PSP36006	26	PB1522
9	SCP2563	27	SCSP1-1
10	PMIG8015	28	PBL1541
11	DSP3617-60ER	29	SCP2578H/L
	PSP1517-60DN	30	PB1523
12	PKA3X20	31	PC1519/S
13	PSP2515SP-B	32	PC1528
14	PSP2515SP-C	33	PSP1525
15	PSP2515SP-PT-1K	34	PSLH26-SM
	PSP2515SP-PT-5K	35	PSLH26-C
	PSP2515SP-PT-10K	36	PSLH26-H
	PSP2515SP-PT-25K	37	*PSL-1-#
16	PGP2514-C	38	PSL3550
17	PCSP2515-KJ	39	PERSP1
18	PGP2516	40	PB1525W
19	SCP2597	41	PGP7020-24-4
20	PB1521	42	9x1.5
21	PGPMS1	43	7x1.5
22	SGP7020W-08		
	SGP7020W-09		
	SGP7020W-10		
	SGP7020W-08U		

\*Note: Gas supply hoses are specified by utilizing the part number and a termination suffix from the gas supply hose table on page 23.

**Example: PSL-1-GS1**

Gas supply hose C/W 3/8" BSP fitting



\* Denotes torch package drive roll set up

Note: All packages supplied with hard and soft wire drive rolls