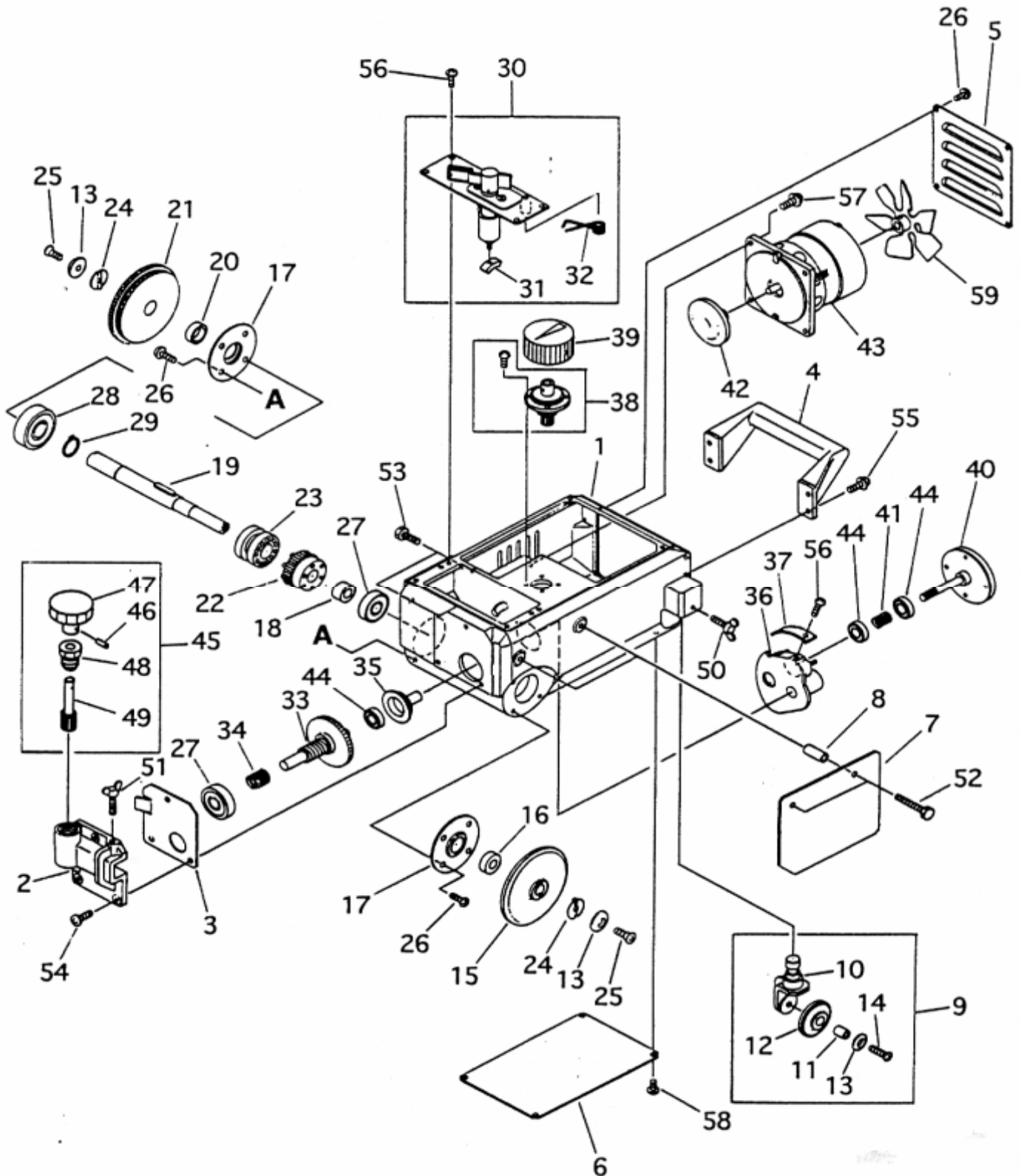


EQUIPMENT SPARES

STRAIGHT LINE CUTTER SPARES

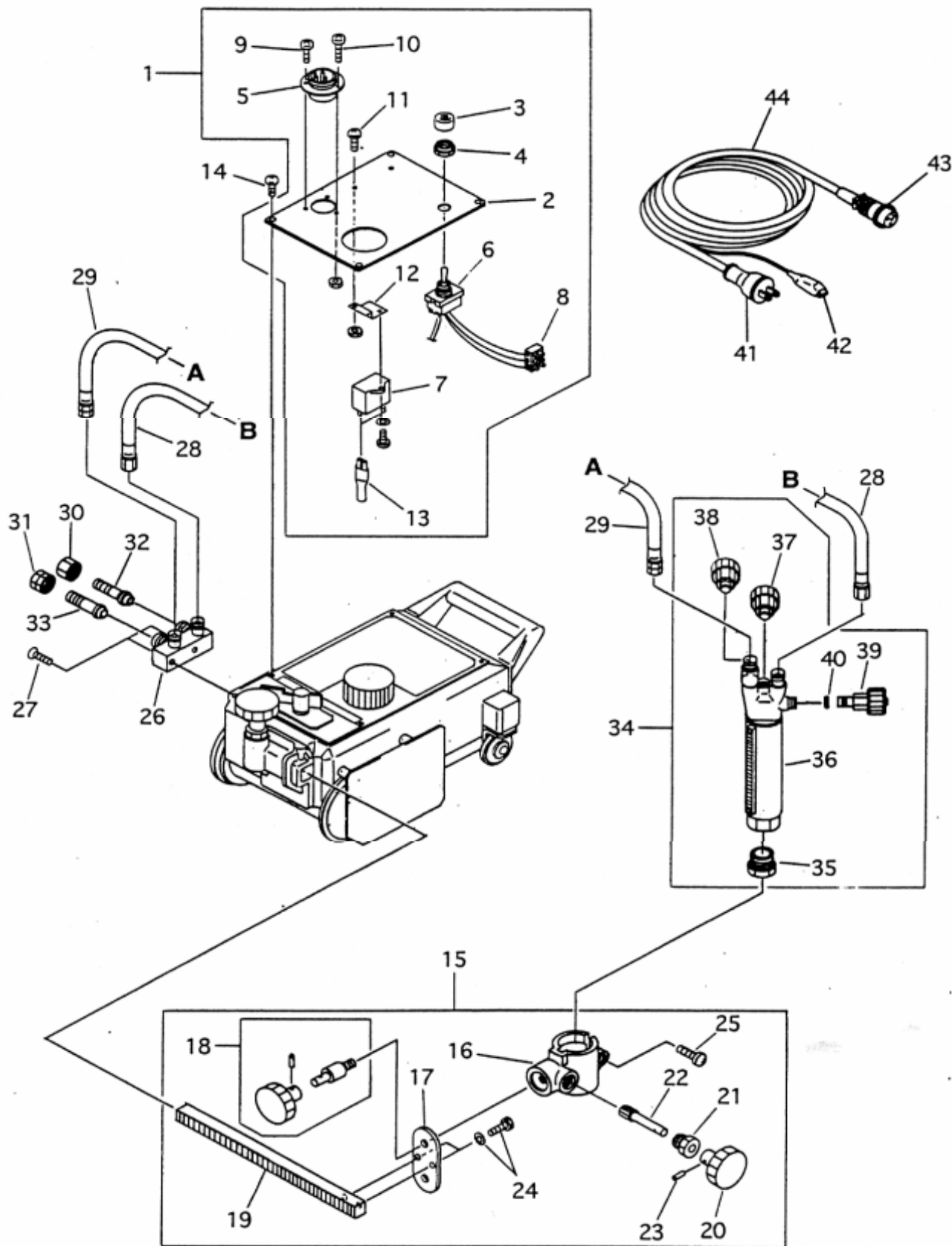
Main Parts Diagram



EQUIPMENT SPARES

STRAIGHT LINE CUTTER SPARES

Electrical, Gas & Torch Diagram



EQUIPMENT SPARES

STRAIGHT LINE CUTTER SPARES

Main Parts List

Item	Description	Qty.	Part No.	Item	Description	Qty.	Part No.
1	Case	1	WIK12-31802	32	Clutch spring	1	WIK12-31821
2	Cross feed holder	1	WIK12-31803	33	Worm shaft assembly	1	WIK12-31822
3	Cross feed liner	1	WIK12-31804	34	Worm spring	1	WIK12-31823
4	Handle	1	WIK12-31805	35	Speed adjusting shaft	1	WIK12-31824
5	Fan cover	1	WIK12-31806	36	Speed adjusting bracket	1	WIK12-31825
6	Bottom plate	1	WIK12-31807	37	Rack	1	WIK12-31826
7	Heat shield	1	WIK12-31808	38	Speed adjusting handle	1	WIK12-31827
8	Heat shield collar	2	WIK12-31809	39	Speed adjusting knob	1	WIK12-31828
9	Idle wheel unit	1	WIK12-31810	40	Speed adjusting cone assy	1	WIK12-31860
10	Idle wheel bracker	1	WIK12-31811	41	Cone spring	1	WIK12-31829
11	Roller shaft	1	WIK12-31812	42	Motor disk	1	WIK12-31868
12	Roller	1	WIK12-31813	43	Motor 100-120V	1	WIK12-31830
13	Washer	3	WIK12-30241		Motor 220V	1	WIK12-31832
14	Screw(SM-5*25)	1	WIK12-510525		Motor 240V	1	WIK12-31833
15	Idle wheel	1	WIK12-31813		Motor 42V	1	WIK12-31831
16	Collar(A)	1	WIK12-31814	44	Bearing	3	WIK12-30269
17	Beaning retainer	2	WIK12-31815	45	Cross feed pinion unit	1	WIK12-31835
18	Collar(B)	1	WIK12-31816	46	Spring pin(PR-2.5*16)	1	WIK12-022516
19	Drive wheel shaft	1	WIK12-31817	47	Handle (40)	1	WIK12-30823
20	Collar(C)	1	WIK12-31818	48	Binion metal	1	WIK12-30318
21	Drive wheel	1	WIK12-31819	49	Pinion	1	WIK12-30319
22	Worm wheel	1	WIK12-30247	50	Wing bolt(BS-6*15)	1	WIK12-110615
23	Clutch	1	WIK12-30246	51	Wing bolt(BS-6*25)	1	WIK12-110625
24	Washer	2	WIK12-30242	52	Hdxagon bolt(BH-6*30)	2	WIK12-010630
25	Screw(SM-5*15)	2	WIK12-510515	53	Hdxagon bolt(BH-6*18)	2	WIK12-010618
26	Screw(SM-5*8)	12	WIK12-520508	54	Screw(SM-6*14)	3	WIK12-520614
27	Bearing	2	WIK12-31836	55	Screw(SM-5*15)	4	WIK12-530515
28	Bearing	1	WIK12-30819	56	Screw(SM-4*10)	10	WIK12-520410
29	Stop ring(STW-15)	1	WIK12-520150	57	Screw(SM-4*15)	4	WIK12-520415
30	Clutch lever assembly	1	WIK12-31820	58	Screw(SM-4*8)	8	WIK12-520408
31	Slider	1	WIK12-30265	59	Motor Fan	1	WIK12-30289

Electrical, Gas & Torch Parts List

Item	Description	Qty.	Part No.	Item	Description	Qty.	Part No.
1	Panel assembly 100-120V	1	WIK12-31894	18	Holder fixing handle	1	WIK12-31844
	Panel assembly 200-240V	1	WIK12-31695	19	Rack bar	1	WIK12-31845
	Panel assembly 45V	1	WIK12-31898	20	Handle(40)	1	WIK12-30223
2	Panel	1	WIK12-31837	21	Pinion nut	1	WIK12-30909
3	Cap for dust protector	1	WIK12-32431	22	Pinion	1	WIK12-30910
4	Nut for dust protector	1	WIK12-35017	23	Spring pin(PR-2.5*16)	1	WIK12-022516
5	Metal socket 3 pin	1	WIK12-30273	24	Hexagon bolt(BC-5*14)	2	WIK12-400514
	Metal socket 4 pin	1	WIK12-30274	25	Screw(SP-6*25)	1	WIK12-520625
6	Switch 100-120V	1	WIK12-30283	26	Manifold 5/8-18	1	WIK12-31852L
	Switch 200-240V	1	WIK12-31859	27	Screw(SM-5*25)	2	WIK12-510525
7	Condenser 100V	1	WIK12-35207	28	Hose for oxygen	1	WIK12-30303
	Condenser 200-220V	1	WIK12-35219	29	Hose for gas	1	WIK12-30307
	Condenser 230-240V	1	WIK12-35209	34	Torch 3 Seat	1	WIK12-10050
	Condenser 42V	1	WIK12-35210	35	Nozzle Nut	1	WIK12-05020
8	Terminal 100-120V 3P	1	WIK12-31841	36	Torch Rack	1	WIK12-10056
	Terminal 200-240V 4P	1	WIK12-30656	37	Valve for preheat oxygen	1	WIK12-15355
9	Screw(SM-3*6)	2	WIK12-510306	38	Valve for gas	1	WIK12-15356
10	Screw(SM-3*8)	1	WIK12-620308	39	Valve for jet for oxygen	1	WIK12-15401
11	Screw(SP-3*6)	2	WIK12-610306	40	O-ring	1	WIK12-05026
12	Condenser fixing plate	1	WIK12-32389	41	Rubber plug	1	WIK12-30279
13	Male Terminal	2	WIK12-35211	42	Earth clip	1	WIK12-30995
14	Screw(SP-4*8)	4	WIK12-520408	43	Metal plug 3P	1	WIK12-30910
15	Torch holder assembly	1	WIK12-31801		Metal plug 4P	1	WIK12-30276
16	Torch holder	1	WIK12-31842	44	Lead assy 3pin	1	WIK12-30201
17	Torch holder fixing plate	1	WIK12-31843		Lead assy 4pin	1	WIK12-30296

